

ZY-LS08-30 球型梭阀
ZY-LS08-30 Load Shuttle, Ball-Type
描述 DESCRIPTION:

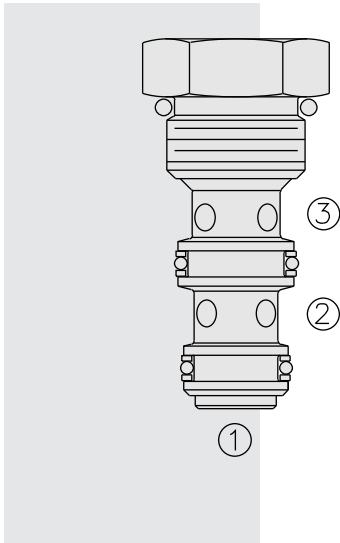
螺纹插装式液压梭阀, 用于优先接通高压油路的截止油路。

A load-shuttling, screw-in, cartridge-style hydraulic check valve, for use in blocking circuits where a priority of flow/direction is given to a higher pressure circuit over a lower one.

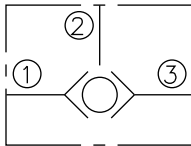
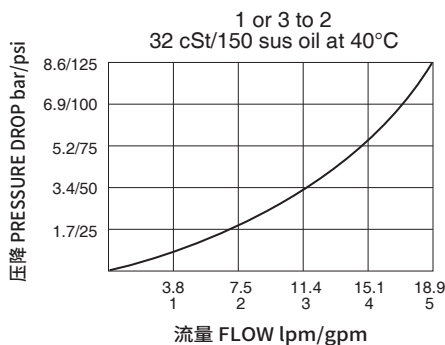
工作原理 OPERATION:

ZY-LS08-30 允许油液从较高压力油口 ① 或 ③ 流向油口 ②。该阀通常用来指引油液从双向液压马达的高压端流到压力释放液压制动器。

The **ZY-LS08-30** will allow flow from the higher pressure of 1 or 3 port to the 2 port. The valve is commonly used to direct oil from the pressure side of a bidirectional hydraulic motor to a pressure-released hydraulic brake.


机能符号 SYMBOLS:

ISO:


性能图 PERFORMANCE: (Cartridge Only)

特性 RATINGS:

工作压力: 240 bar (3500 psi)

耐压: 390 bar (5700 psi)

流量: 参见性能图

内部泄漏: 在 207 bar (3000 psi) 时, 最大为 0.25 毫升/分钟 (5 滴/分钟)

温度范围: -40°C ~ 120°C (标准丁腈橡胶密封)

介质: 粘度介于 7.4~420 cSt (50~2000 sus) 的矿物油或具有润滑作用的合成油

阀孔: ZY-VC08-3;

Operating Pressure: 240 bar (3500 psi);

Proof Pressure: 390 bar (5700 psi)

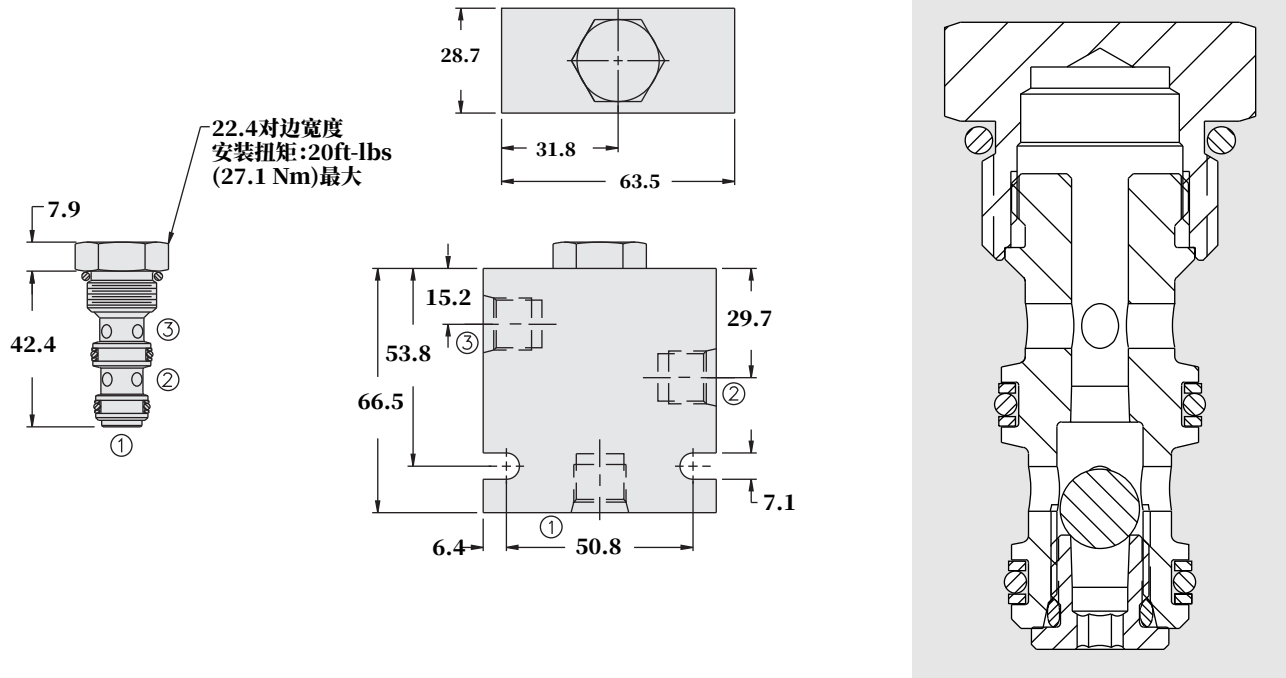
Flow: See Performance Chart;

Internal Leakage: 0.25 cc/minute (5 drops/minute) max. at 207 bar(3000 psi)

Temperature: -40 to 120 °C with standard Buna seals

Fluids: Mineral-based or synthetics with lubricating properties at viscosities of 7.4 to 420 cSt (50 to 2000 sus);

Cavity: ZY-VC08-3;

尺寸 DIMENSIONS:

特点 FEATURES:

- 对负载方向变化反应灵敏。
- 体积小。
- Rapid response to load direction changes.
- Compact size.

订购型号 TO ORDER:
ZY-LS08-30 –
(Porting) 阀块油口

(For ordering valve block models, see:6.0.0.00)

订购阀块型号请参见:6.0.0.00

(Seals)密封材料

 N Buna N(Sta)
丁腈橡胶(标准型)

V 氟橡胶 (Fluorocarbon)