

ZY-FC08-20 流量控制阀
ZY-FC08-20 Flow Control
描述 DESCRIPTION:

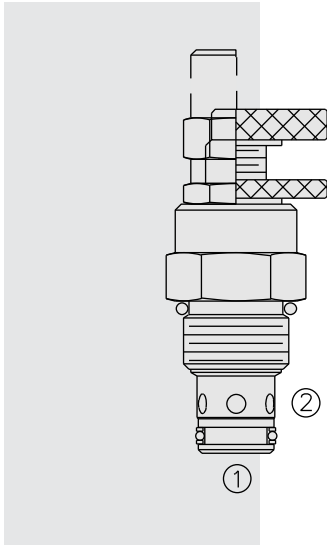
螺纹插装式, 可变节流孔, 带单向阀的节流阀。

A screw-in, cartridge-style, variable orifice, hydraulic flow control valve with reverse flow check.

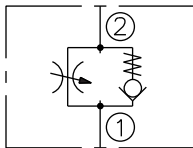
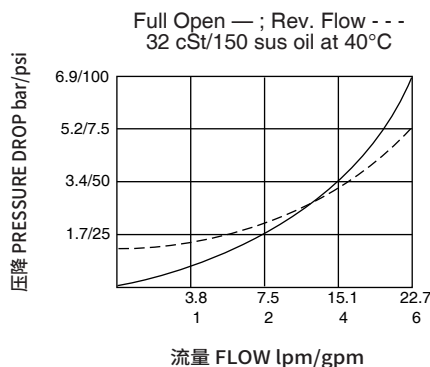
工作原理 OPERATION:

ZY-FC08-20 型, 逆时针旋转调解器时, 可以使节流孔从完全闭合到完全打开。②到①节流, ①到②开启。

The **ZY-FC08-20** regulator is rotated counterclockwise, the throttle hole can be changed from fully closed to fully open. ② to ① throttle, ① to ② open.


机能符号 SYMBOLS:

ISO:


性能图 PERFORMANCE: (Cartridge Only)

特性 RATINGS:

工作压力: 240 bar (3500 psi)

流量: 完全打开 3.0 圈, 标称压差 7 bar (100 psi) 时: 22.7 lpm (6 gpm)

内部泄漏: 0.50 毫升 / 分钟 (10 滴 / 分钟) 最大 (关闭时)

调节扭矩: 压力 7 bar (100 psi) 时, 所需扭矩为 0.34 Nm (3 磅英寸 .)

压力: 207 bar (3000 psi) 时, 所需扭矩为 4.50 Nm (40 磅英寸 .)

温度范围: -40°C ~ 120°C

介质: 粘度介于 7.4~420 cSt (50~2000 sus) 的矿物油或具有润滑作用的合成油

阀孔: ZY-VC08-2;

Operating Pressure: 240 bar (3500 psi);

Flow: 22.7 lpm (6 gpm) nominal at 7 bar (100 psi) at full open 3.0 turns

Internal Leakage: 0.50 cc/minute (10 drops/minute) max. at shut-off

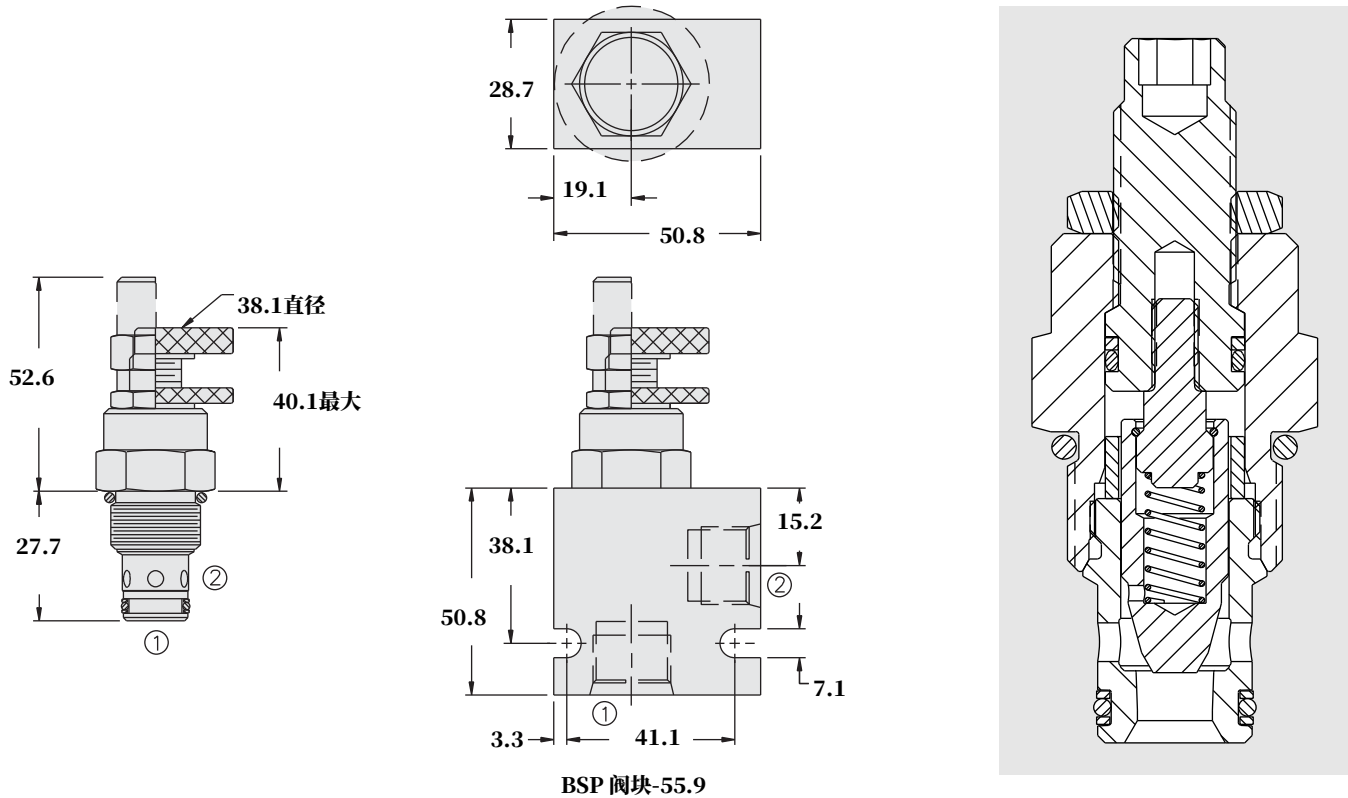
Adjustment Torque Required: 0.34 Nm (3 inch-pounds) at 7 bar (100 psi);

Pressure: 207 bar (3000 psi), the required torque is 4.50 Nm (40 inch-pounds).

Temperature: -40 to 120 °C

Fluids: Mineral-based or synthetics with lubricating properties at viscosities of 7.4 to 420 cSt (50 to 2000 sus);

Cavity: ZY-VC08-2;

尺寸 DIMENSIONS:

特点 FEATURES:

- 调节装置不会旋出阀体。
- 可以锁定希望调节值。
- 零件硬质处理, 耐用。
- 工业常规阀孔。
- 铝合金手柄。
- 确保关闭。
- 线性调节。

- Adjustments cannot be backed out of the valve.
- Desired settings may be locked down.
- Hardened parts for long life.
- Industry common cavity.
- Aluminum knob option.
- Positive shut-off.
- Linear adjustment.

订购型号 TO ORDER:
ZY-FC08-20-
(Adjustment Option) 调节选项
 (1/4 in. Hex Allen Head)

1/4 寸内六角头	A
(1-1/2 in. Dia. Alum. Knobs)	
直径1-1/2 寸, 铝合金手柄	B

(Seals) 密封材料

Buna N(Sta)	
N	丁腈橡胶(标准型)
V	(Fluorocarbon)氟橡胶

(Porting) 阀块油口

(For ordering valve block models, see:6.0.0.00)

订购阀块型号请参见:6.0.0.00